

BIBFRAME at last?

Sally McCallum

Library of Congress

Washington DC USA

BFWF September 2023

Expectation

- Convert to BIBFRAME-based system in 2024/25
- Agenda today
 - Recap of last 10+ years
 - Last year's plans
 - Major change
 - Recent developments

Long road

- LC published *On the Record: Report of the Library of Congress Working Group on the Future of Bibliographic Control* – 2007
 - Two committee recommendations:
 - Use technology to get broader use of library curated vocabularies
 - Replace the MARC format with a data interchange framework that makes library data more readily available on the web.

So first – LC Linked Data Service (id.loc.gov) -- 2009

- Recommendation 1: Use technology to get broader use of library curated vocabularies
 - First “curated vocabulary” made available: LCSH
 - Then added --
 - Name authorities
 - Other LC thesauri, such as Thesaurus for Graphic Materials, genre lists, etc.
 - Description terms from MARC and from RDA: languages, countries, geographic areas, ...
 - Cultural organization codes
 - Focused on machine search and retrieval, giving responses in RDF and simple HTML
 - Uses MADSRDF and SKOS
 - Today over a million hits a day on average

And then – last 10 years

- Recommendation 2: Replace the MARC format with a data interchange framework that makes library data more readily available on the web
- Experimented, 2012-2014
 - “Early Experimenters” Group
 - Modeling contracts
 - FRBR/RDA constructs
- Pilots, 2015-2022
 - 40, then 60, then 100 catalogers
 - First editor, simple search, first MARC to BIBFRAME conversion

During experimentation and pilots

- Database enrichment
 - Search
 - Load/Conversion
- Development of editor, Marva
 - Use of LC's Linked Data Service
 - Pick lists
 - Type aheads
 - Added many more lists from RDA
 - Contracts, cataloger input, weekly "office hour"
- Sharing
 - Conversions, BIBFRAME "records", reports

During experimentation and pilots

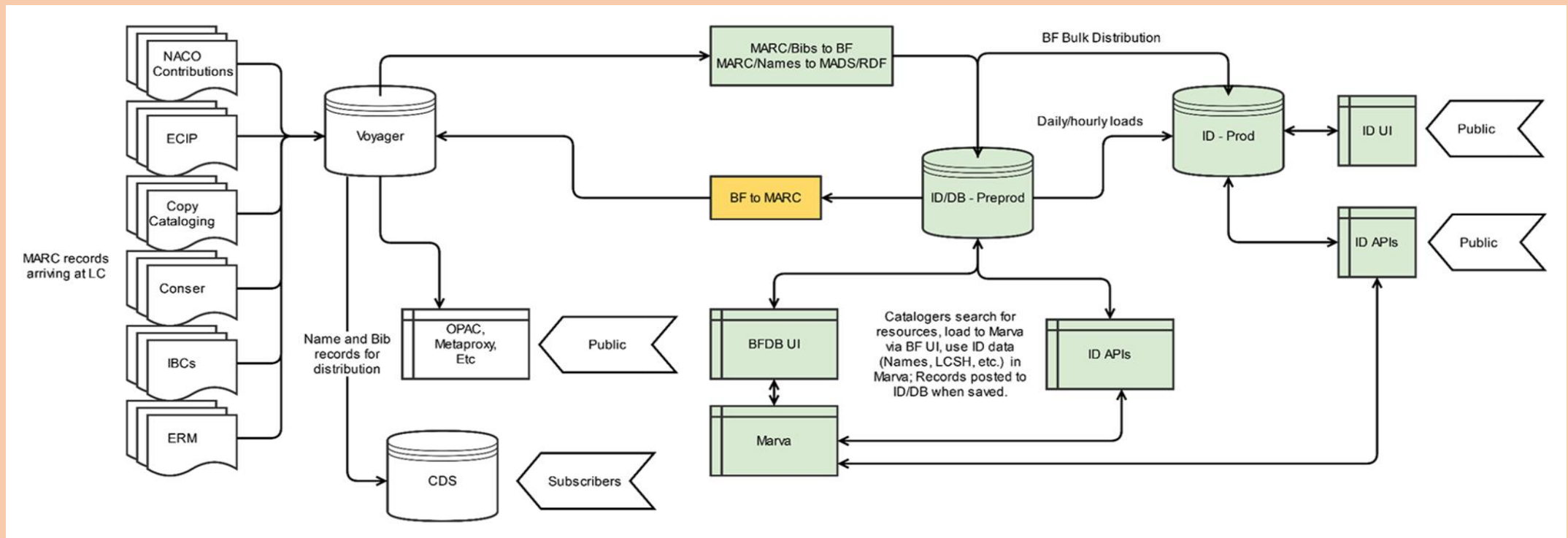
- Examining transliteration
 - Complex in various ways
 - Different scripts have different needs – right to left, vowel complexity, readings
 - Development of Scriptshifter tool
 - Ready with less complex scripts like Cyrillic-based scripts
 - Approximately 25 languages / 11 scripts
 - Testing now Korean
 - Next up will be Hebrew and Arabic
 - Incorporating or accessing external tools for these scripts
 - <https://github.com/lcnetdev/scriptshifter>
- How much data needs to be transliterated? title, names, imprint?
notes?

During experimentation and pilots

- Examining title Authorities
 - MARC Title Authorities → MARC Title Bibliographic Works → BIBFRAME Hubs
 - MARC pluses
 - Richer related resource links like MARC Bib 7XX
 - Genre type of information like MARC Bib 655
 - Notes that apply to all instances like MARC Bib 524, 520
 - Subject information
 - Fits better with FRBR, RDA, and BIBFRAME models

Last year's plan

- New system funding delayed so . . .
- Plan to try to attach a BIBFRAME component to Voyager



Pivot to FOLIO in 2023

- Funding for new system allocated by US Congress
- Selected FOLIO (Future Of Libraries Is Open), with BIBFRAME as part of the contract
 - Folio's modern architecture and flexibility
- Ebsco as implementation partner
 - Ebsco had acquired BIBFRAME components
 - Zepheira, Bibliograph network
 - Ebsco sees value in development around BIBFRAME
- But, FOLIO is basically MARC oriented with intentions to incorporate linked data

Pivot too soon?

- FOLIO database did not yet have a datagraph for handling RDF and BIBFRAME
- FOLIO did not have a BIBFRAME data editor
- But Ebsco/FOLIO have been very responsive
 - Work underway on a datagraph for FOLIO
 - Adapting LC's BIBFRAME editor, Marva, to the FOLIO framework
 - Gloria Gonzales from Ebsco will give more detail tomorrow at 11:30

Since last BFW – BIBFRAME Ontology activity

- BIBFRAME vocabulary update: October 2022 - v2.2
 - Another in October/November 2023
- Changes are in response to requests from serious, active implementers
- Version changes for v2.2 include:
 - Adjustments of some domains/ranges – similar to unstructured WEMI
 - New elements like hubs, bindings, non-sort
 - Work subclasses that enable easier movement between BIBFRAME and MARC
- <https://id.loc.gov/ontologies/bibframe.html>

Since last BFW E - MARC/BIBFRAME conversions

- Critical to refine BIBFRAME to/from MARC
- Three releases of MARC to BIBFRAME since last September
 - v2.1.0 – Oct 2022
 - v2.2.0 – Dec 2022
 - v2.3.0 – Jan 2023
 - <https://github.com/lcnetdev/marc2bibframe2/releases>
- Currently MARC to BIBFRAME at version 2.3.0, recent changes:
 - Leader 06/07 clarifications
 - Imprint for the 3rd time(!) – to overcome extra subfielding in MARC
 - Series issues – series have had a rocky existence in MARC between 400-430, 440, 490, 8XX
 - Non-sort information – finally took the easy way out

MARC/BIBFRAME conversions

- Currently BIBFRAME to MARC at version 2.0
- BIBFRAME to MARC more complex
 - BIBFRAME splits out instances, MARC puts them together on one record
 - Recombine?
 - BIBFRAME combines duplicate information
 - Reduplicate?
 - BIBFRAME contains URIs for many elements
 - Take data strings/codes and leave URIs behind?

What is coming for BIBFRAME in the future?

- Share-VDE plans later this morning
- Tomorrow afternoon, hear about
 - More about FOLIO
 - ExLibris developments
 - OCLC activities
- A fresh look at interoperability that accommodates Works and Instances
 - International group called BIG (BIBFRAME Interoperability Group)
 - Figuring out the composition of interchange descriptions without the MARC unit record.
- How do we start linking and stop copy cataloging?
 - Sweden, Share-VDE, and OCLC have explored components
 - The next presentation by Philip Schreur will take a creative look at this

Thanks and some URIs

- **Main BIBFRAME project site:** www.loc.gov/bibframe/
 - *Links to MARC to BIBFRAME specifications, conversion programs, and comparison tool*
 - *Links to BIBFRAME to MARC specifications, conversion programs, and comparison tool*
 - *Links to Editor design documents and software*
- **LC Linked Data service:** id.loc.gov
 - *Contains links to BIBFRAME bibliographic data, name and subject authorities, and many vocabularies*